



HWS-1 Hand Wrapping System



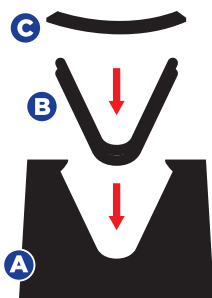
HWS-1 Package Contents:

- A) Rod Stand (3)
 B) V-Insert (3)
 C) Felt Strip (3)
 D) Rod Band (2)
 E) Rod Stand Bolts:
 Includes:
 • (2) Bolts
 • (2) Washers
 • (2) Wing Nuts

- F) Tension Rod (1)
 G) Tension Rod Glue Stick (1)
 H) Top for Tension Rod (1)
 I) Rubber Foot Pads (16)
 J) HWS Thread Slider (1)
 K) Eye Bolts (2)
 L) Instruction & Tech Card
 M) HWS-1 Wrapping Base (1)

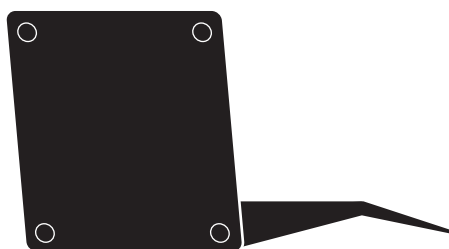
- N) Thread Tension Assembly
 Includes:
 • (1) Threaded Rod
 • (2) Locking Wing Nuts
 • (2) Small Washers
 • (2) Tension Springs
 • (4) Large Washers
 • (4) Nylon Bushings
 • (2) 7/16" Nuts

Assembly Instructions



1. Install Felt on Stands

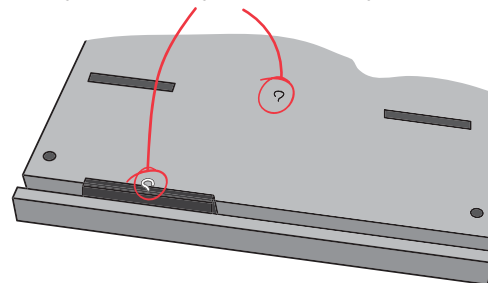
Remove the backing from the adhesive on a Felt Strip (C), line up to top edge of the V-Insert (B) press the Felt Strip in place. Once adhered, press the V-Insert into place on a Rod Stand (A). (Repeat these steps for the remaining two Rod Stands.)



2. Apply Rubber Feet to Bottom.

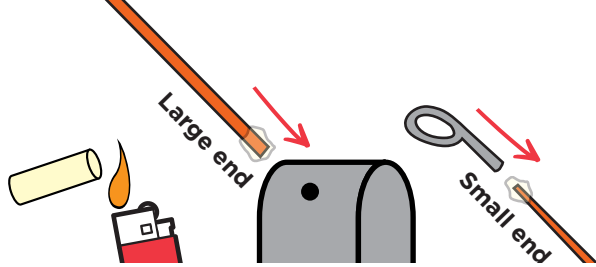
Apply the Rubber Feet (I) to the bottom of each Rod Support Stand (A) as well as the bottom of the HWS Base (M).

Install Eye Bolts Here
Note: Make sure to not over-tighten the Eyebolts as they can break easily.



3. Install the Eye Bolts & Thread Slider

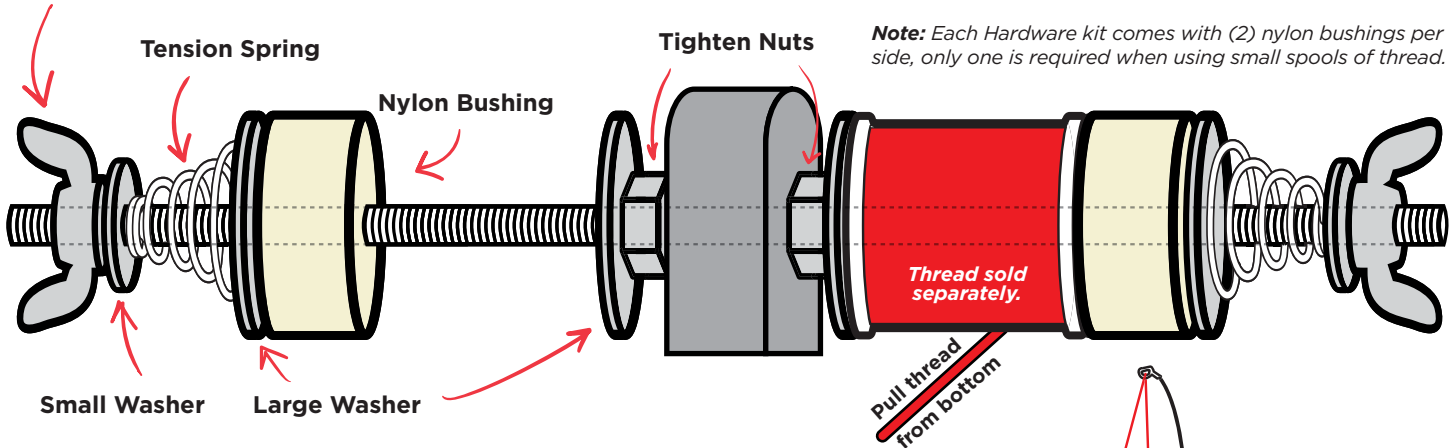
Install (1) of the Eye Bolts (K.) in the pre-drilled hole Base, the second is installed in the pre-drilled hole on the Thread Slider (J.) Put the slider in it's slot. Slide the Instructional Card into the slot as well. **Advanced technique cards also available for this unit.**



4. Install the Tension Rod

Using a lighter melt an end of the Glue Stick(G), roll the large end of the Tension Rod (F) into the Glue and slide it into the pre-drilled hole on the back side of the upright on the HWS Base. Repeat this process to install the Tip Top (H.) to the tension rod. Be sure to align the tip top loop down toward the wrapper.

Locking Wing Nut



6. Install Thread Tension Assembly.

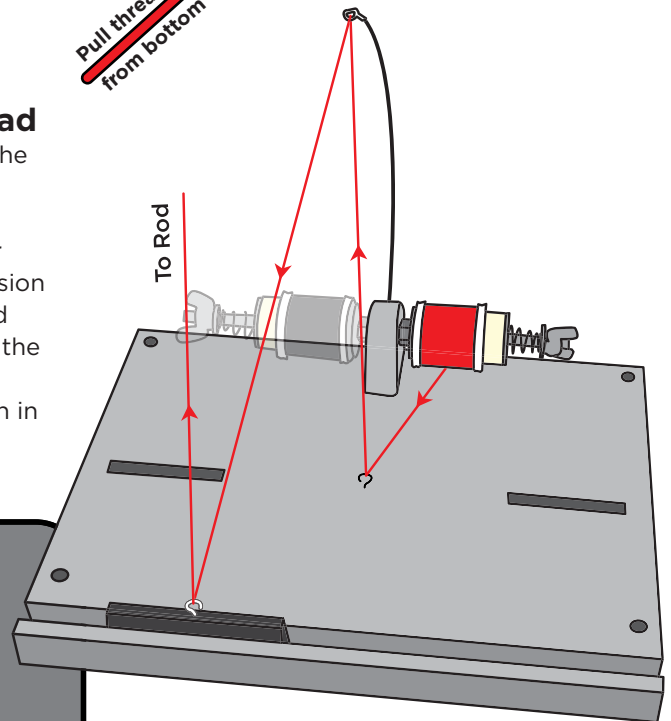
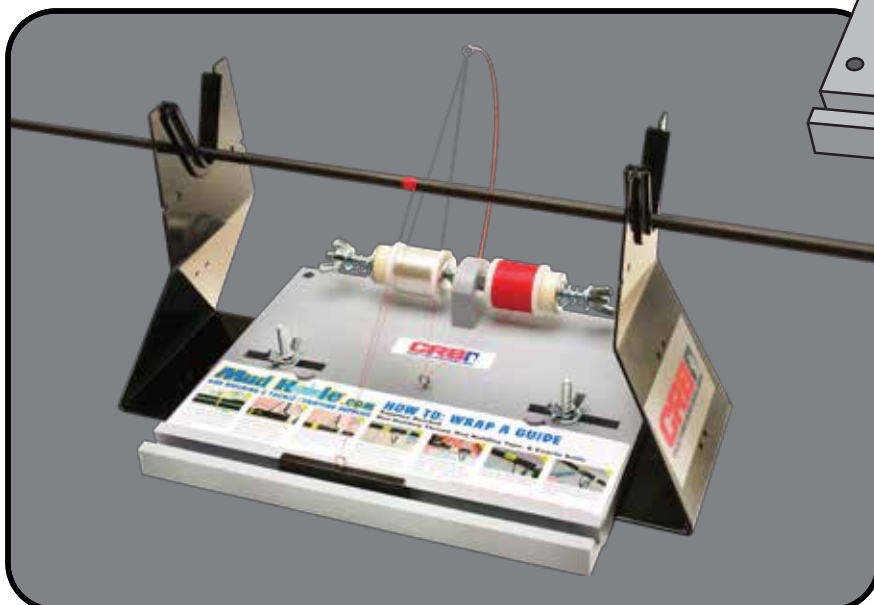
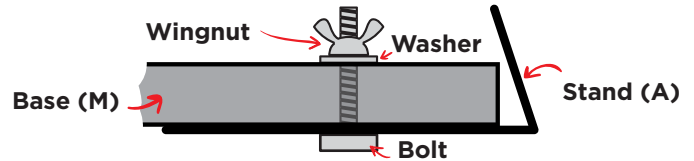
Remove one side of the components from the Threaded Rod (including one of the 7/16" nuts). Pass the threaded rod through the Upright on the HWS-1 Base (Note: It is important to center this rod. Once in place, reinstall the 7/16" nut and tighten down firmly using wrenches or pliers.

7. How to Load Thread

- 1.) Assemble both sides of the tension assembly as shown above.
- 2.) Install the thread of your choice onto the Thread Tension Assembly so that the thread comes off of the bottom of the spool.
- 3.) The thread path is shown in the diagram to the right.

5. Mount Stands to Base

Now mount two of the Rod Stand to the HWS Base (M). The third will be used as additional support for the tip or butt of the rod while wrapping. Align the rear hole on the rod stand with the bottom slot on the HWS Base and slide a Rod Stand Bolt (E.) through both pieces. Install a washer and tighten the wing nut to secure. Repeat this process for the second Rod Stand.



Questions? Call us at (866) 790-RODS for expert support or visit our forums at forums.mudhole.com

Check out our videos for rod building instructions:

YouTube

